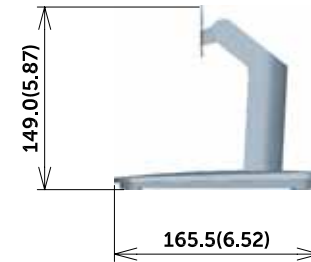
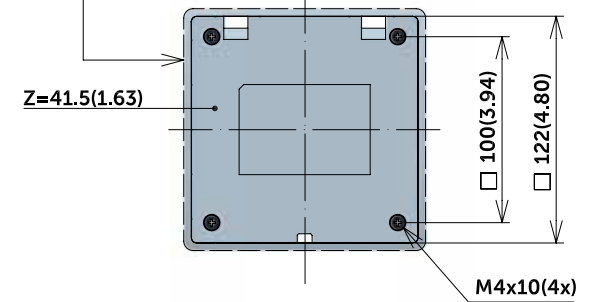
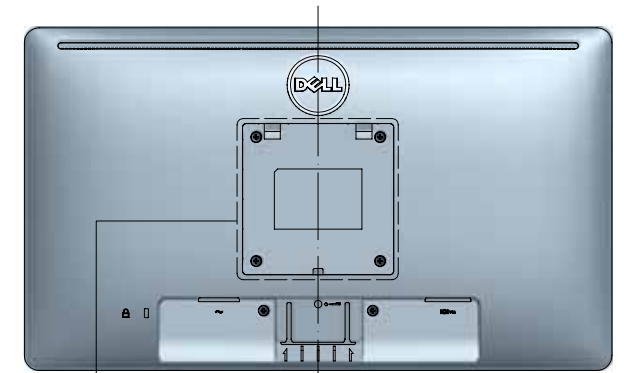
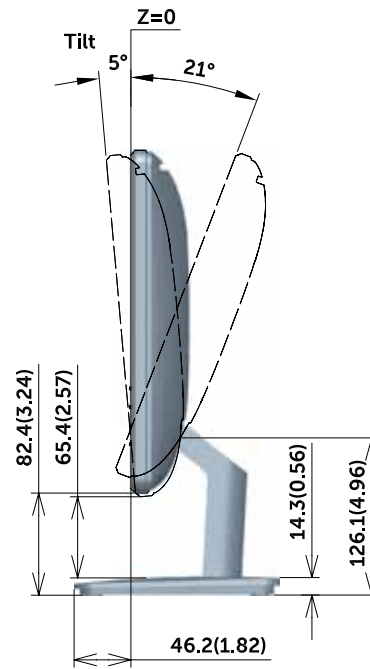
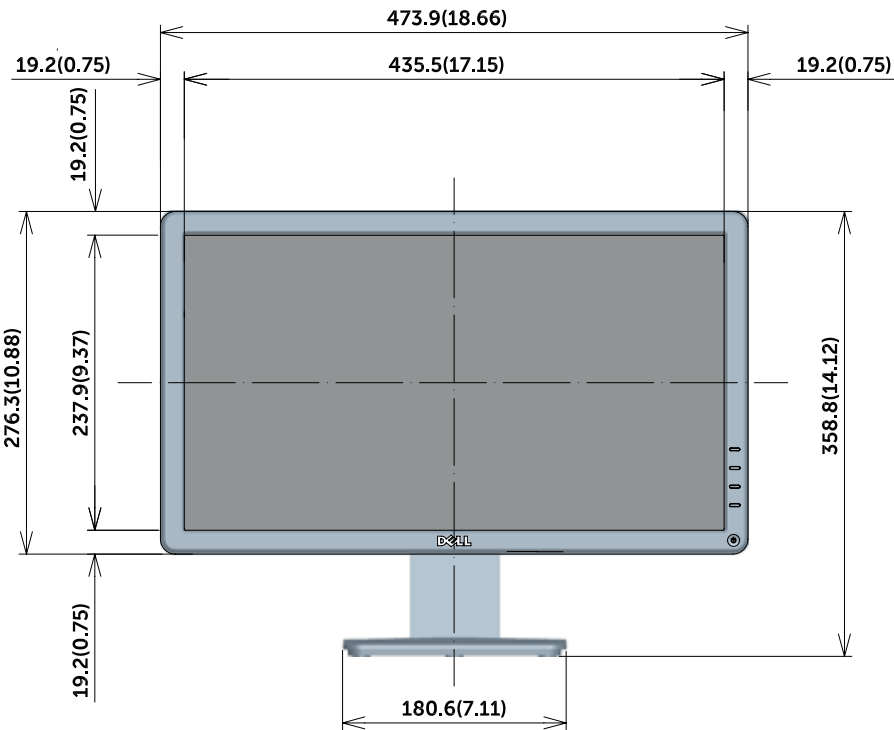
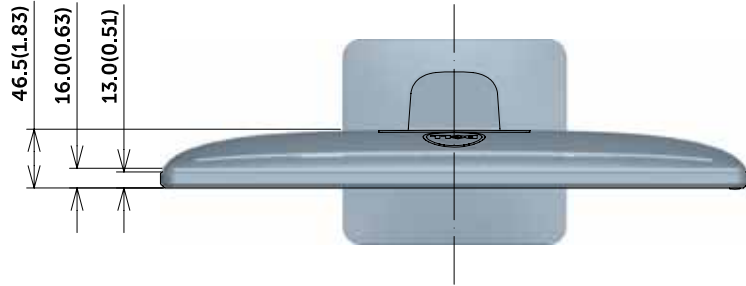


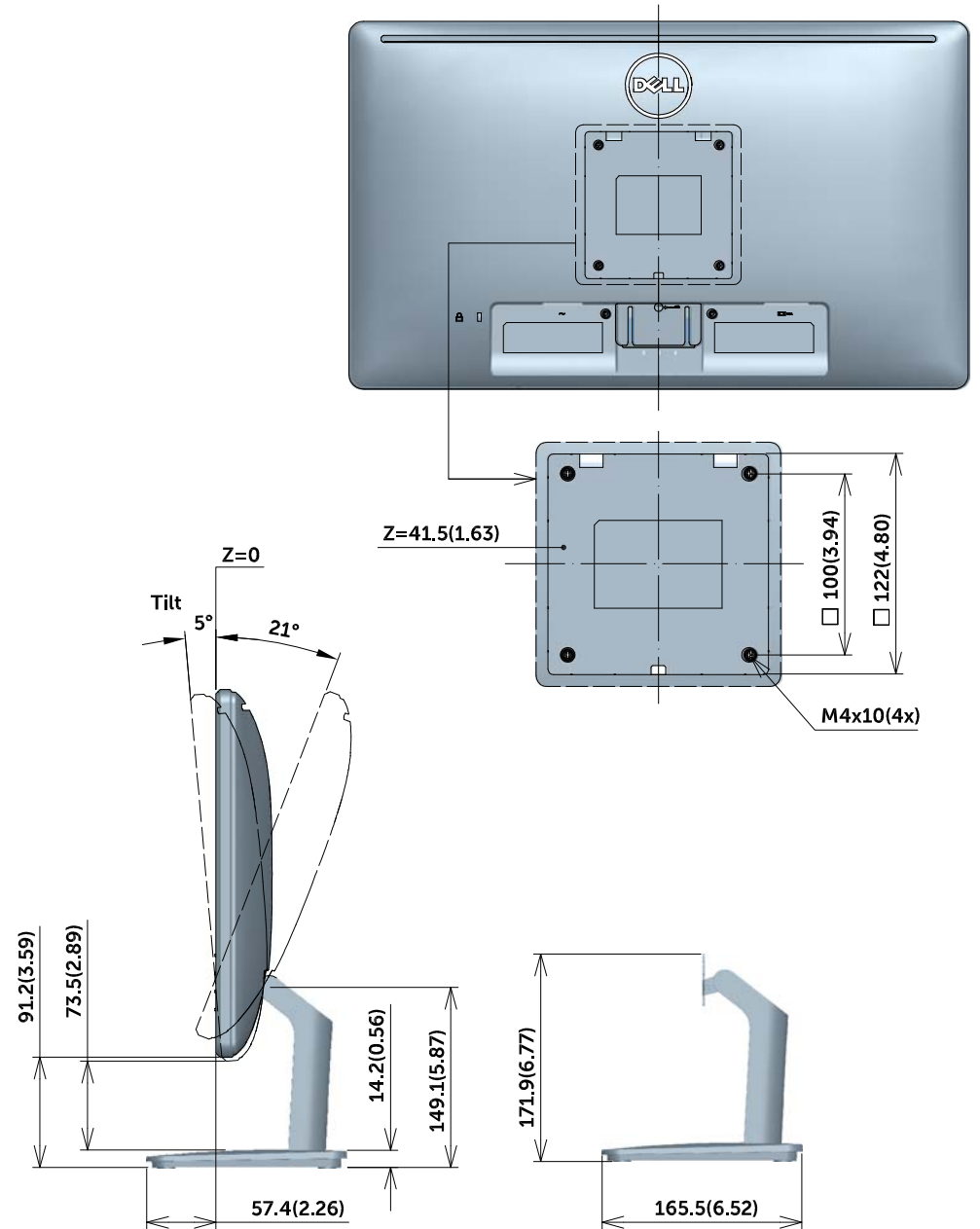
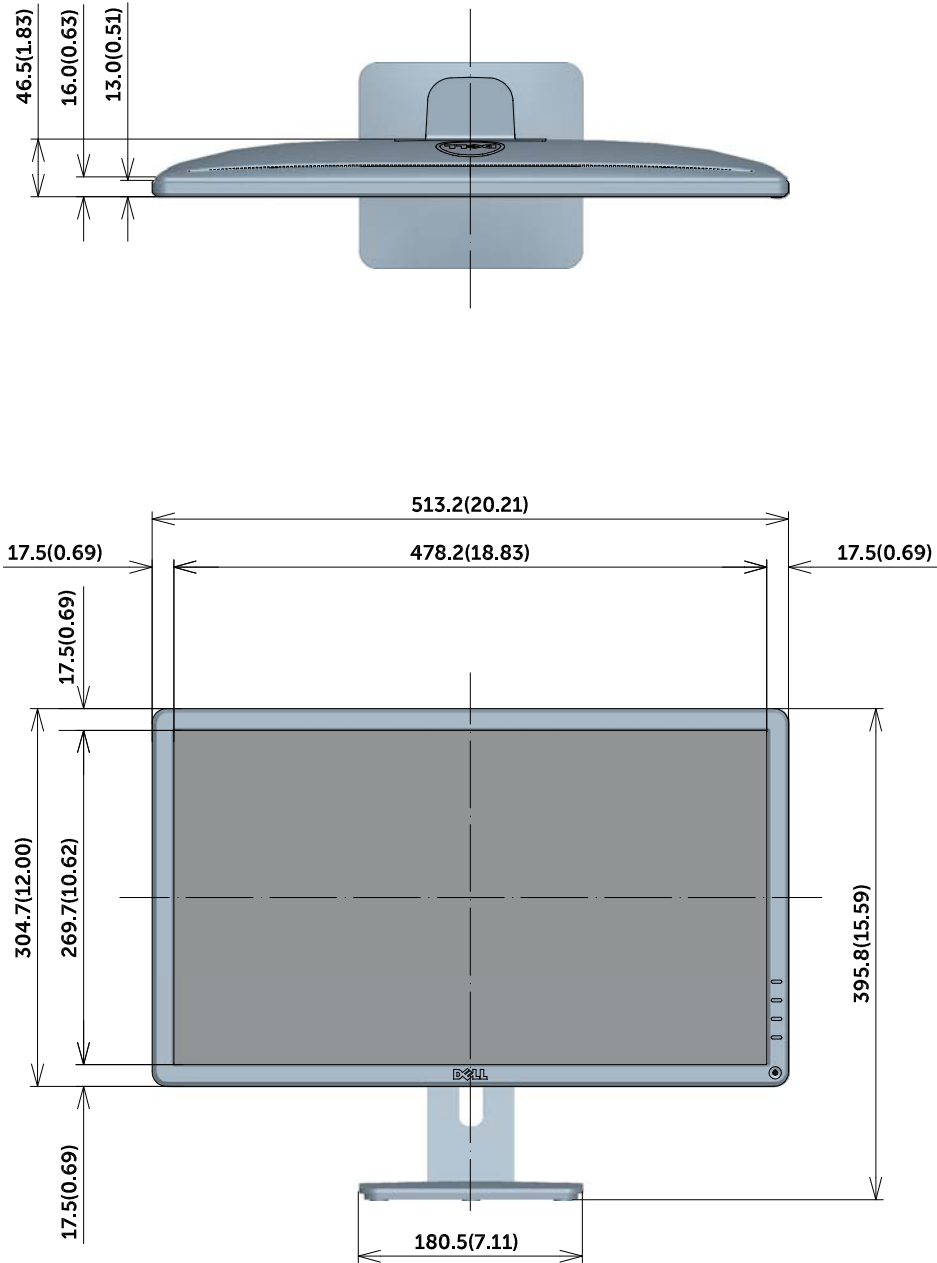
# E2015HV Outline Dimension

Unit : mm(inch)  
 Dimension : Nominal  
 Drawing : Not to scale



# E2215HV Outline Dimension

Unit : mm(inch)  
 Dimension : Nominal  
 Drawing : Not to scale



# E2715H Outline Dimension

Unit : mm(inch)  
 Dimension : Nominal  
 Drawing : Not to scale

